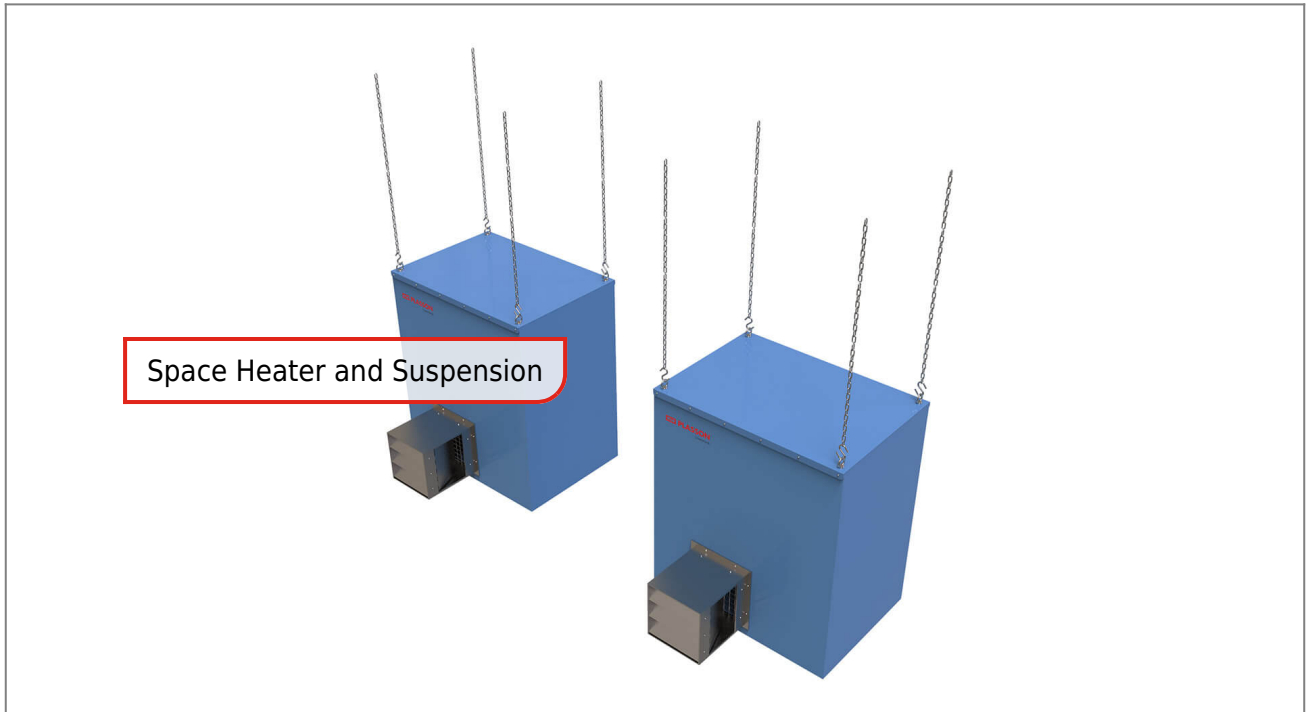


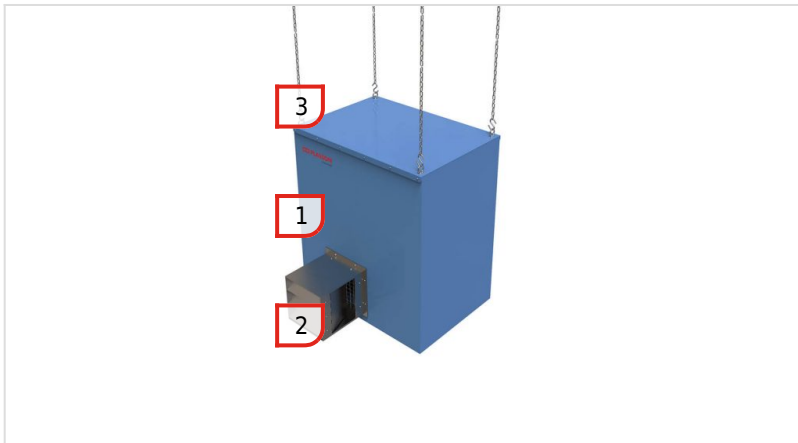
HEATING

<https://solutions.plassonlivestock.com/system/heating/>



OVERVIEW

Plasson's heating system consists of space heaters operating on natural gas (NG) or liquid petroleum gas (LPG). The heaters utilize high pressure radial blowers to quickly and efficiently create the required temperature inside the chicken house during the brooding period or when outside temperature drops.



SPACE HEATER AND SUSPENSION

1 Space heater

80 kilowatts of power allows for a heating capacity of 68,800K cal/hr and an air flow rate of 2,000 m³/hr. The heaters are supplied with a connection kit which includes a gas regulator and a flex pipe.

2 Heater outlet

Directs hot air towards the house floor, thus focusing the heat at the height of the chicks. Maximum air throw is 30 meters.



3 Suspension

Four ring hooks attached to the heater serve as suspension points. S-hooks and high-strength weld chains are used to suspend the heater to the chicken house structure. Heaters may also be connected to the house wall using dedicated brackets.
