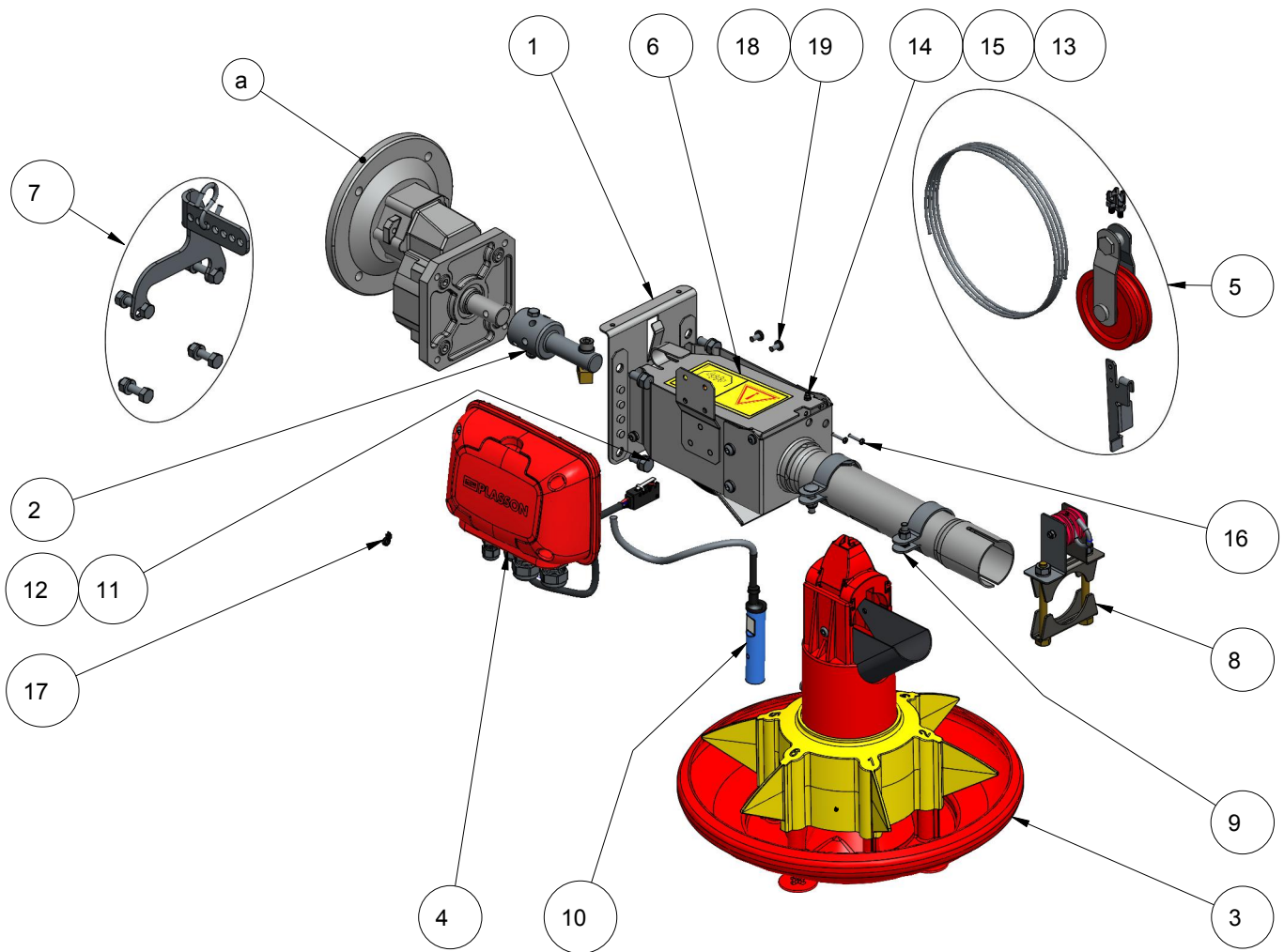


02312430 / 02312431



02312430	CONTROL PAN FOR BRIOLERS W/ GEAR W/ PROXIMITY SENSOR COM		QTY.
02312431	.	CONTROL PAN FOR BRIOLERS W/O GEAR W/ PROXIMITY SENSOR COM	1
02310507	a	GEARBOX 1:3.94 SQUARE FLANGE (FOR 50 HZ)	1
02312431	CONTROL PAN FOR BRIOLERS W/O GEAR W/ PROXIMITY SENSOR COM		
02310929	1	PCP2 CONNECTION BOX	1
02310930	2	PCP2 ARBOR SHAFT AND FASTENERS SET	1
02312544	3	PCP2 PAN FOR PROXIMITY SENSORS FOR BROILERS	1
02321075	4	PCP2 MICROSWITCH AND SENSOR JUNCTION BOX SET	1
02310527	5	C.U. SUSPENSION KIT	1
02310230	6	SAFETY LABEL	1
02312488	7	GEAR TO MOTOR BOLTS METRIC	1
02310518	8	ANTI-PERCH CLAMP SET	1
02310895	9	FEEDER PAN ANTI ROTATION BRACKET SET	2
0288102914	10	DOL 25-60 SENSOR CA-P-18-NF-CA-SCR-B-0T	1
02310430	11	BOLT M8X16, HEX HEAD ZINC COATED	4
02310054	12	SPRING WASHER M8	4
02310944	13	M3X8 SCREW, DOME HEAD, PHILIPS SLOT, ZINC COATED	1
02310436	14	M3 NUT	1
02310437	15	M3 SPRING WASHER	1
02310943	16	M3X16 SCREW, DOME HEAD, PHILIPS SLOT, ZINC COATED	2
02312556	17	PLASTIC STRAP 200MMx2.5MM BLACK	1
02310909	18	M5X10 SCREW, BUTTON HEAD, ALLEN SOCKET	2
02320024	19	SPRING WASHER 5MM	2
08002116	20	PCP2 CARTON BOX	1
08002118	21	PCP2 CARTON GEAR	1
08002119	22	PCP2 CARTON SMARTBOX	1
08002120	23	PCP2 CARTON PLATFORM	1
08002121	24	PCP2 CARTON BODY	1