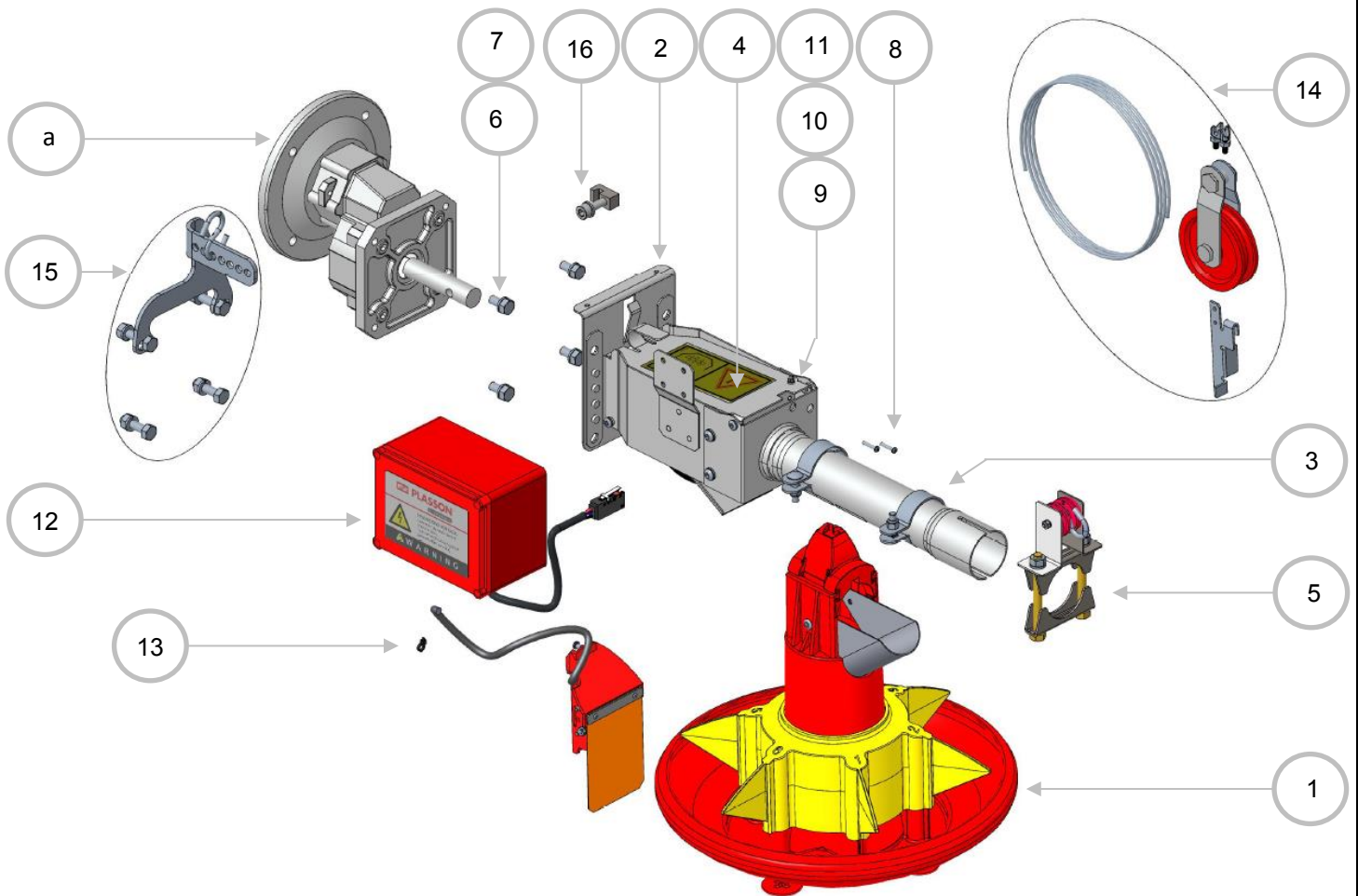


02310871 - 02310771



Balloon No.	Item	DESCRIPTION	QTY.
	02310871	CONTROL PAN FOR BROILERS W/ GEAR W/ MICROSWITCH COM	
a	02310507	GEARBOX 1:3.94 SQUARE FLANGE	1
	02310771	CONTROL PAN FOR BROILERS W/O GEAR W/ MICROSWITCH COM	1

02310771		CONTROL PAN FOR BROILERS W/O GEAR W/ MICROSWITCH COM	
1	02310769	PCP2 PAN W/ MICROSWITCH	1
2	02310929	PCP2 CONNECTION BOX	1
3	02310895	FEEDER PAN ANTI ROTATION BRACKET 45mm SET	2
4	02310230	SAFETY LABEL FOR HOPPER (BR)	1
5	02310518	ANTI-PERCH CLAMP KIT	1
6	02310430	BOLT M8X16, HEX HEAD, ZINC COATED	4
7	02310054	SPRING WASHER 8MM	4
8	02310943	M3X16 HEX SOCKET SCREW(DIN 912))-SS304	2
9	02310944	M3X10 SS SCREW	1
10	02310436	NUT M3	1
11	02310437	SPRING WASHER 3MM	1
12	02321075	PCP2 MICROSWITCH AND SENSOR JUNCTION BOX SET	1
13	02312556	PLASTIC STRAP 200MM×2.5MM BLACK	1
14	02310527	C.U. SUSPENSION KIT.	1
15	02312488	CONTROL PAN FASTENERS AND SUSPENSION SET METRIC	1
16	02313219	AUGER LATCH DIA. 35.8 SET	1